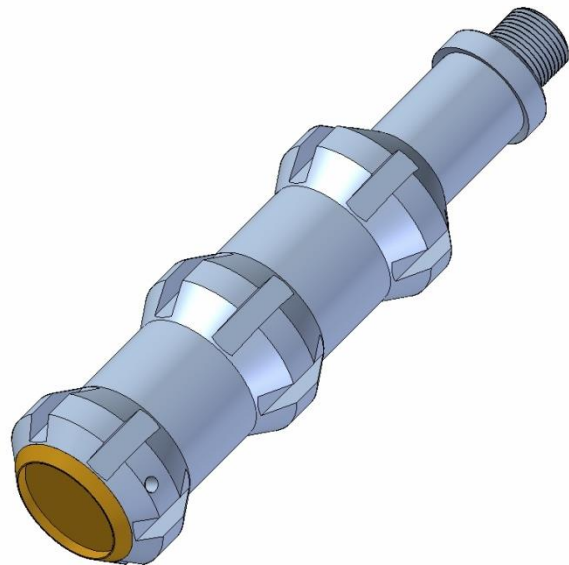


2,75" Fishing Magnum Magnet®

Model FM 106

For wireline, with 1 1/16" SR pin connection

Dimensional data	
Max OD, inch	2,75
Min ID, inch	N/A
Fish neck OD, inch	2,32
Length, mm	271,5
Material properties	
Body material	AISI 4145
Magnet size, mm	Ø50 x 50
Magnet quantity, nos	1
Magnet type	Innovar specified
Operational data	
Lifting capacity, kg	60
Connection	1 1/16" SR pin
Guide wheels	No
Transport Data	
Weight, not including transport box, kg	7
Box size, cm	40 x 23 x 20
Shielding for airplane	Available
Shielding for helicopter	Available



Updated electronic revision of this document is filed at <http://www.innovar.no>